

**PRODUCT TECHNICAL SHEET**

Collection : **DYNAMIC**

Ref. : **4027.11.74**

Thermostatique à encastrer

Inbouw thermostaat

Concealed thermostatic

**Picture**

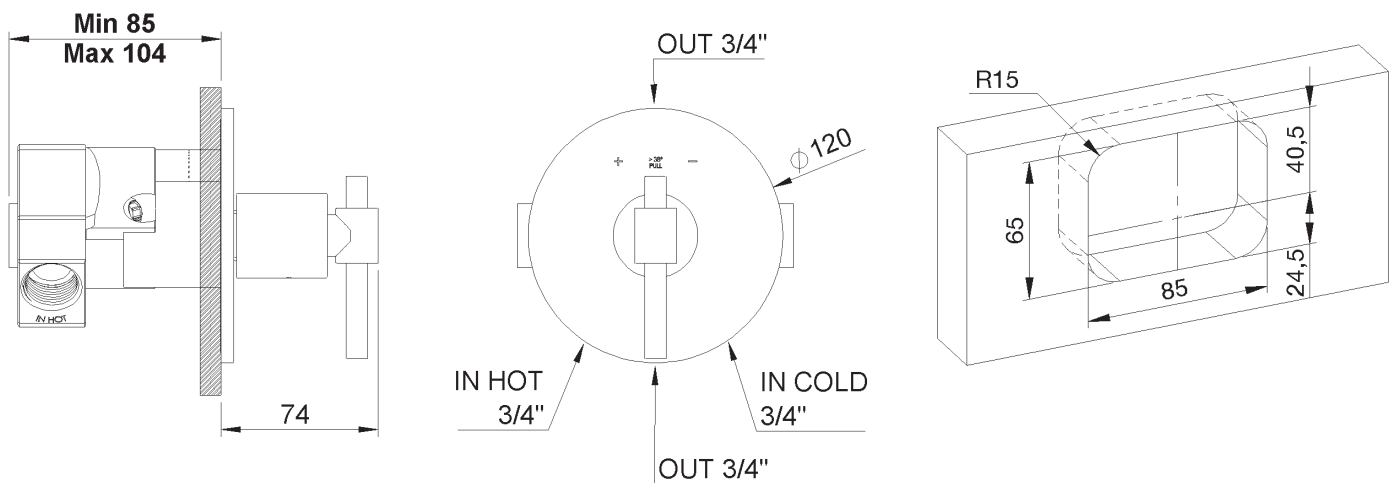
**Product details**



Flow at 3 bar : 32 l/min

T° mechanism : Thermostatic wax cartridge

**Technical drawing**



RA1.V01